

**ELECTRICAL DRAWING LIST**

- E-000 ELECTRICAL DRAWING LIST, LEGEND, NOTES AND SCHEDULES
- E-001 TOWN HALL - NEW LIGHTING PLANS
- E-002 TOWN HALL FLOOR AND ROOF - NEW POWER AND SYSTEM PLANS

**LEGEND**

SYMBOL	DESCRIPTION	QTY	MTD	HT
15A	125V SINGLE POLE SWITCH, S (TWO POLE), S (3-WAY), S (4-WAY), S (KEY OPERATED), S (TIMER), S (C/W PULL STATION), S (LOW VOLTAGE), S (TIMER), S (OCCUPANCY SENSOR SWITCH)	450 (18)		
15A	125V SINGLE GANG (DOUBLE GANG), (TRIPLE GANG), (FOUR GANG), (FIVE GANG), (SIX GANG)	450 (18)		
LED	LED FIXTURE	AS NOTED		
EMERGENCY LED	EMERGENCY LED FIXTURE	AS NOTED		
LED PENDANT	LED PENDANT OR DOWNLIGHT FIXTURE	AS NOTED		
WALL MOUNT	WALL MOUNT BRACKET	AS NOTED		
EXIT	SINGLE SIDED EXIT SIGN	AS NOTED		
EXIT LIGHT	EXIT LIGHT - DIRECTIONAL ARROW	AS NOTED		
15AMP	15AMP (20AMP WHERE NOTED) 125VOLT U-GROUND DUPLEX RECEPTACLE	450 (18)		
15AMP	15AMP 125VOLT U-GROUND DUPLEX RECEPTACLE, TAMPER PROOF	450 (18)		
15AMP	15AMP 125VOLT U-GROUND QUAD RECEPTACLE	450 (18)		
15AMP	15AMP 125VOLT U-GROUND SPLIT RECEPTACLE	450 (18)		
VOICE	VOICE/DATA OUTLET C/W 3/4" (19mm) CONDUIT TO CABLE TRAY	450 (18)		
DATA	DATA OUTLET C/W 3/4" (19mm) CONDUIT TO CABLE TRAY	450 (18)		
WALL TEL	WALL TELEPHONE OUTLET C/W 3/4" (19mm) CONDUIT TO CABLE TRAY	1500 (60)		
TV	TELEVISION OUTLET WITH 3/4" (19mm) CONDUIT UP TO CABLE TRAY	AS NOTED		
SOUND	SOUND SYSTEM SPEAKER	AS NOTED		
15AMP	15AMP 125VOLT U-GROUND QUAD RECEPTACLE (RECESSED IN FLOOR)	FLOOR		
SMOKE	SMOKE DETECTOR	CEILING		
VOICE	VOICE/DATA OUTLET (RECESSED IN FLOOR)	FLOOR		
SYSTEMS	SYSTEMS FURNITURE CONNECTION FOR POWER AND VOICE/DATA SITE JUNCTION BOX AND ROUGH-IN TO ACCOMMODATE NUMBER OF CIRCUITS/WIRES AND VOICE/DATA DROPS TURNING INTO THE SYSTEMS FURNITURE	WALL		
1068	SINGLE PUSHBUTTON STATION	1068 (42)		
MOTOR	MOTOR CONNECTION (SINGLE OR THREE PHASE)	---		
DISCONNECT	DISCONNECT SWITCH	---		
COMBINATION	COMBINATION STARTER AND DISCONNECT	---		
MOTOR	MOTOR CONNECTION (SINGLE OR THREE PHASE)	---		
OCCUPANCY	OCCUPANCY SENSOR	CEILING		
SPECIAL	SPECIAL RECEPTACLE (REFER TO DRAWINGS)	AS NOTED		
JUNCTION	JUNCTION BOX (REFER TO DRAWINGS)	---		
DIRECT	DIRECT CONNECTION	---		
ELECTRICAL	ELECTRICAL PANEL	---		
EMERGENCY	EMERGENCY CALL BUTTON	---		
SINGLE	SINGLE DOME LIGHT	---		
EMERGENCY	EMERGENCY LIGHTING BATTERY UNIT	---		
FIRE	FIRE ALARM PULLSTATION	1200 (47)		
FIRE	FIRE ALARM HORN WITH STROBE LIGHT	1200 (47)		
DOUBLE	DOUBLE HEAD REMOTE EMERGENCY LIGHT	---		
BASKET	BASKET CABLE TRAY (300MMX100MM)	ABOVE CEILING		
DOOR	DOOR CONTACT C/W 3/4" CONDUIT (19mm) TO ACCESSIBLE CORRIDOR CEILING SPACE	---		
ELECTRIC	ELECTRIC DOOR STRIKE C/W 3/4" CONDUIT (19mm) TO ACCESSIBLE CORRIDOR CEILING SPACE	---		
CARD	CARD READER C/W 3/4" CONDUIT (19mm) TO ACCESSIBLE CORRIDOR CEILING SPACE	1170 (46)		
HANDHOLE	HANDHOLE - REFER TO DRAWINGS FOR TYPE	---		
GROUND	GROUND FAULT INTERRUPTING	---		
OVER	OVER COUNTER	---		
WEATHER	WEATHER PROOF	---		
HOUSE	HOUSEKEEPING	---		
CL	CEILING	---		
PS/TC	PHOTO SENSOR/TIME CLOCK	---		

**GENERAL NOTES**

- DO NOT SCALE DRAWINGS FOR INSTALLATION PURPOSES. OBTAIN ALL DIMENSIONS FROM ARCHITECTURAL PLANS, MANUFACTURER'S SHOP DRAWINGS, AND ON SITE INSPECTIONS.
- PRIOR TO INSTALLATION OF BOXES IN WALLS, VERIFY THAT NO INTERFERENCES EXIST. CHECK ARCHITECTURAL PLANS AND ELEVATIONS.
- ALL EXISTING DEAD WIRING AND CONDUIT IN RENOVATED AREAS SHALL BE REMOVED IN ITS ENTIRETY WHERE ACCESSIBLE WHERE NOT ACCESSIBLE, WIRING ONLY SHALL BE REMOVED AND CONDUIT SHALL REMAIN.
- REWORK ALL EXISTING WIRING, CONDUIT, ETC. REMAINING IN USE AND FALLING WITHIN EXISTING WALLS WHICH ARE BEING REMOVED, TO NEAREST EXISTING WALLS REMAINING. ALL REWORKED WIRING SHALL BE CONCEALED.
- ELECTRICAL EQUIPMENT BEING REMOVED AND NOT BEING REUSED WILL BE STORED ON SITE AND REMAIN THE PROPERTY OF THE OWNER. ANY SUCH EQUIPMENT THE OWNER DOES NOT WISH TO RETAIN WILL BE REMOVED FROM SITE AND DISPOSED OF BY THIS TRADE.
- REVIEW DRAWINGS AND PROVIDE ON SITE INSPECTIONS TO DETERMINE FULL EXTENT OF PROJECT PRIOR TO SUBMITTING BID.
- MECHANICAL AND ELECTRICAL TRADES SHALL WORK IN CONJUNCTION WITH ONE ANOTHER SO AS TO AVOID INTERFERENCES BETWEEN PIPING, DUCTWORK, CONDUIT, LIGHTING FIXTURES, ETC.
- WORK IN CONJUNCTION WITH ARCHITECTURAL REFLECTED CEILING PLAN WHEN LOCATING LIGHT FIXTURES.

**FIXTURE SCHEDULE**

NOTES:

- CONTRACTOR AND FIXTURE SUPPLIER ARE RESPONSIBLE TO PROVIDE ALL PLASTER AND FINISHING FRAMES, MOUNTING HARDWARE, AND ACCESSORIES TO SUIT ARCHITECTURAL CEILING SCHEDULE. FINAL COLOUR SELECTIONS OF FIXTURES SHALL BE CONFIRMED BY ARCHITECT DURING SHOP DRAWING REVIEW.
- LIGHT EMITTING DIODES (LED) WITH CURRENT TECHNOLOGY, MINIMUM COLOUR TEMPERATURE OF 3000K TO 4000K, A MINIMUM CRI OF 80, A RATED LIFE OF 50,000 TO 70,000 HOURS BASED ON 70% LUMEN DEPRECIATION LEVEL AND HEAT SINKS TO REMOVE HEAT FROM THE BOTTOM OF THE SEMICONDUCTORS.
- ALL LIGHT FIXTURE SHALL BE DLC OR ENERGY STAR RATED FOR OWNER'S REBATE ELIGIBILITY.
- MANUFACTURER TO NOTE ON SHOP DRAWINGS THAT DRIVERS, DIMMING SWITCHES AND PHOTOCONTROLLERS ARE ALL COMPATIBLE.

TYPE	DESCRIPTION	LUMENS	MTD	HT
1	2" LONG LED STRIP FIXTURE, ALUMINUM BODY, INTEGRAL SATIN LENS, BLACK FINISH, AIRCRAFT CABLE MOUNTING C/W MATCHING CANOPY, SUITABLE FOR INSTALLATION IN OPEN CEILING, 120V DIMMING DRIVER (0-10V).	15000	SUSPENDED	
2	8" DIAMETER ROUND LED FIXTURE, ALUMINUM BODY, INTEGRAL SATIN LENS, BLACK FINISH, AIRCRAFT CABLE MOUNTING C/W MATCHING CANOPY, SUITABLE FOR INSTALLATION IN OPEN CEILING, 120V DIMMING DRIVER (0-10V).	20000	SUSPENDED	
3	8" DIAMETER ROUND LED FIXTURE, ALUMINUM BODY, INTEGRAL SATIN LENS, BLACK FINISH, AIRCRAFT CABLE MOUNTING C/W MATCHING CANOPY, SUITABLE FOR INSTALLATION IN OPEN CEILING, 120V DIMMING DRIVER (0-10V).	8000	SURFACE	
4	12" LONG LED STRIP FIXTURE, SHALLOW PROFILE, GLASS SHADE, METAL END CAPS, SUITABLE FOR SURFACE MOUNTING, 120V DIMMING DRIVER, STANDARD FINISH AND COLOUR TO BE SELECTED BY ARCHITECT DURING SHOP DRAWING REVIEW.	900	SURFACE	
5	TECH LIGHTING LYNN BATH MODEL 700BL1YNN-26-YS-LED930 OR APPROVED EQUIVALENT	3500	SURFACE	
6	TECH LIGHTING LYNN BATH MODEL 700BL1YNN-48-YS-LED930 OR APPROVED EQUIVALENT	13000	SURFACE	
7	EXTERIOR LED FIXTURE, DIRECT ARM MOUNT ON POLE (INCLUDING 16" SQUARE POLE), FRONT FACING OPTICS, HOUSING IS RUGGED CAST ALUMINUM, WEATHERTIGHT LED DRIVER, VERSATILE MOUNTING CONFIGURATIONS, LOW PROFILE DESIGN, TYPE V MEDIUM DISTRIBUTION, 120V DRIVER, 130W.	16900	SURFACE	
8	EXTERIOR LED FIXTURE, DIRECT ARM MOUNT ON POLE (INCLUDING 16" SQUARE POLE), HOUSING IS RUGGED CAST ALUMINUM, WEATHERTIGHT LED DRIVER, VERSATILE MOUNTING CONFIGURATIONS, LOW PROFILE DESIGN, TYPE V SHORT DISTRIBUTION, 120V DRIVER, 130W.	16900	SURFACE	
9	8" LONG LED STRIP FIXTURE, SHALLOW PROFILE, FROSTED POLYCARBONATE LENS, STEEL HOUSING, WHITE POWDER COAT, SUITABLE FOR SURFACE OR SUSPENDED MOUNTING, 120V DIMMING DRIVER, INCLUDE CHAIN MOUNTING KIT FOR SUSPENDED INSTALLATIONS.	4000	SURFACE/SUSPENDED	
10	8" LONG LED STRIP FIXTURE, SHALLOW PROFILE, FROSTED POLYCARBONATE LENS, STEEL HOUSING, WHITE POWDER COAT, SUITABLE FOR SURFACE OR SUSPENDED MOUNTING, 120V DIMMING DRIVER, INCLUDE CHAIN MOUNTING KIT FOR SUSPENDED INSTALLATIONS.	8000	SURFACE/SUSPENDED	
11	8" LONG LED STRIP FIXTURE, SHALLOW PROFILE, FROSTED POLYCARBONATE LENS, STEEL HOUSING, WHITE POWDER COAT, SUITABLE FOR SURFACE OR SUSPENDED MOUNTING, 120V DIMMING DRIVER, INCLUDE CHAIN MOUNTING KIT FOR SUSPENDED INSTALLATIONS.	3500	RECESSED	
12	8" LONG LED STRIP FIXTURE, SHALLOW PROFILE, FROSTED POLYCARBONATE LENS, STEEL HOUSING, WHITE POWDER COAT, SUITABLE FOR SURFACE OR SUSPENDED MOUNTING, 120V DIMMING DRIVER, INCLUDE CHAIN MOUNTING KIT FOR SUSPENDED INSTALLATIONS.	7000	RECESSED	
13	8" X 8" SQUARE LED LINEAR FIXTURE, DIRECT, SHALLOW PROFILE, ACRYLIC FLUSH LENS, SATIN FINISH, EXTRUDED ALUMINUM HOUSING, WHITE POWDER COAT, SUITABLE FOR INSTALLATION IN WOOD SLAT OR GWB CEILING, 120V DIMMING DRIVER (0-10V).	3480	RECESSED	
14	30-2RL-L4-35K-120-DIM-DX-FL-S-BT OR APPROVED EQUIVALENT	4000	SURFACE/SUSPENDED	
15	30-2RL-L4-35K-120-DIM-DX-FL-S-BT OR APPROVED EQUIVALENT	4000	SURFACE/SUSPENDED	
16	30-2RL-L4-35K-120-DIM-DX-FL-S-BT OR APPROVED EQUIVALENT	2500	SUSPENDED	

**FIXTURE SCHEDULE**

NOTES:

- CONTRACTOR AND FIXTURE SUPPLIER ARE RESPONSIBLE TO PROVIDE ALL PLASTER AND FINISHING FRAMES, MOUNTING HARDWARE, AND ACCESSORIES TO SUIT ARCHITECTURAL CEILING SCHEDULE. FINAL COLOUR SELECTIONS OF FIXTURES SHALL BE CONFIRMED BY ARCHITECT DURING SHOP DRAWING REVIEW.
- LIGHT EMITTING DIODES (LED) WITH CURRENT TECHNOLOGY, MINIMUM COLOUR TEMPERATURE OF 3000K TO 4000K, A MINIMUM CRI OF 80, A RATED LIFE OF 50,000 TO 70,000 HOURS BASED ON 70% LUMEN DEPRECIATION LEVEL AND HEAT SINKS TO REMOVE HEAT FROM THE BOTTOM OF THE SEMICONDUCTORS.
- ALL LIGHT FIXTURE SHALL BE DLC OR ENERGY STAR RATED FOR OWNER'S REBATE ELIGIBILITY.
- MANUFACTURER TO NOTE ON SHOP DRAWINGS THAT DRIVERS, DIMMING SWITCHES AND PHOTOCONTROLLERS ARE ALL COMPATIBLE.

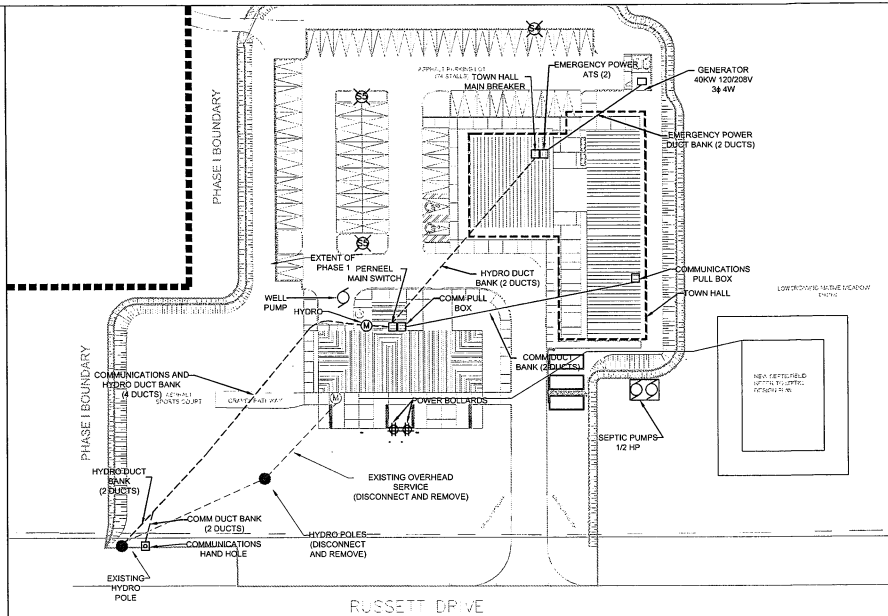
TYPE	DESCRIPTION	LUMENS	MTD	HT
1	2" LONG LED STRIP FIXTURE, ALUMINUM BODY, INTEGRAL SATIN LENS, BLACK FINISH, AIRCRAFT CABLE MOUNTING C/W MATCHING CANOPY, SUITABLE FOR INSTALLATION IN OPEN CEILING, 120V DIMMING DRIVER (0-10V).	15000	SUSPENDED	
2	8" DIAMETER ROUND LED FIXTURE, ALUMINUM BODY, INTEGRAL SATIN LENS, BLACK FINISH, AIRCRAFT CABLE MOUNTING C/W MATCHING CANOPY, SUITABLE FOR INSTALLATION IN OPEN CEILING, 120V DIMMING DRIVER (0-10V).	20000	SUSPENDED	
3	8" DIAMETER ROUND LED FIXTURE, ALUMINUM BODY, INTEGRAL SATIN LENS, BLACK FINISH, AIRCRAFT CABLE MOUNTING C/W MATCHING CANOPY, SUITABLE FOR INSTALLATION IN OPEN CEILING, 120V DIMMING DRIVER (0-10V).	8000	SURFACE	
4	12" LONG LED STRIP FIXTURE, SHALLOW PROFILE, GLASS SHADE, METAL END CAPS, SUITABLE FOR SURFACE MOUNTING, 120V DIMMING DRIVER, STANDARD FINISH AND COLOUR TO BE SELECTED BY ARCHITECT DURING SHOP DRAWING REVIEW.	900	SURFACE	
5	TECH LIGHTING LYNN BATH MODEL 700BL1YNN-26-YS-LED930 OR APPROVED EQUIVALENT	3500	SURFACE	
6	TECH LIGHTING LYNN BATH MODEL 700BL1YNN-48-YS-LED930 OR APPROVED EQUIVALENT	13000	SURFACE	
7	EXTERIOR LED FIXTURE, DIRECT ARM MOUNT ON POLE (INCLUDING 16" SQUARE POLE), FRONT FACING OPTICS, HOUSING IS RUGGED CAST ALUMINUM, WEATHERTIGHT LED DRIVER, VERSATILE MOUNTING CONFIGURATIONS, LOW PROFILE DESIGN, TYPE V MEDIUM DISTRIBUTION, 120V DRIVER, 130W.	16900	SURFACE	
8	EXTERIOR LED FIXTURE, DIRECT ARM MOUNT ON POLE (INCLUDING 16" SQUARE POLE), HOUSING IS RUGGED CAST ALUMINUM, WEATHERTIGHT LED DRIVER, VERSATILE MOUNTING CONFIGURATIONS, LOW PROFILE DESIGN, TYPE V SHORT DISTRIBUTION, 120V DRIVER, 130W.	16900	SURFACE	
9	8" LONG LED STRIP FIXTURE, SHALLOW PROFILE, FROSTED POLYCARBONATE LENS, STEEL HOUSING, WHITE POWDER COAT, SUITABLE FOR SURFACE OR SUSPENDED MOUNTING, 120V DIMMING DRIVER, INCLUDE CHAIN MOUNTING KIT FOR SUSPENDED INSTALLATIONS.	4000	SURFACE/SUSPENDED	
10	8" LONG LED STRIP FIXTURE, SHALLOW PROFILE, FROSTED POLYCARBONATE LENS, STEEL HOUSING, WHITE POWDER COAT, SUITABLE FOR SURFACE OR SUSPENDED MOUNTING, 120V DIMMING DRIVER, INCLUDE CHAIN MOUNTING KIT FOR SUSPENDED INSTALLATIONS.	8000	SURFACE/SUSPENDED	
11	8" LONG LED STRIP FIXTURE, SHALLOW PROFILE, FROSTED POLYCARBONATE LENS, STEEL HOUSING, WHITE POWDER COAT, SUITABLE FOR SURFACE OR SUSPENDED MOUNTING, 120V DIMMING DRIVER, INCLUDE CHAIN MOUNTING KIT FOR SUSPENDED INSTALLATIONS.	3500	RECESSED	
12	8" LONG LED STRIP FIXTURE, SHALLOW PROFILE, FROSTED POLYCARBONATE LENS, STEEL HOUSING, WHITE POWDER COAT, SUITABLE FOR SURFACE OR SUSPENDED MOUNTING, 120V DIMMING DRIVER, INCLUDE CHAIN MOUNTING KIT FOR SUSPENDED INSTALLATIONS.	7000	RECESSED	
13	30-2RL-L4-35K-120-DIM-DX-FL-S-BT OR APPROVED EQUIVALENT	4000	SURFACE/SUSPENDED	
14	30-2RL-L4-35K-120-DIM-DX-FL-S-BT OR APPROVED EQUIVALENT	4000	SURFACE/SUSPENDED	
15	30-2RL-L4-35K-120-DIM-DX-FL-S-BT OR APPROVED EQUIVALENT	2500	SUSPENDED	

**PANEL E**

WATTS FOR	P	AMP	CCT	CCT	AMP	P	FOR	WATTS
* SECURITY PANEL	1	15	1	2	15	1	EMERGENCY LIGHTING	*
* F/A ANNUNCIATOR	1	15	3	4	15	1	BATTERY PACK	*
* SPARE	1	15	5	6	15	1	SPARE	*
* SPARE	1	15	7	8	15	1	SPARE	*
* SPARE	1	15	9	10	15	1	SPARE	*
* SPARE	1	15	11	12	15	1	SPARE	*
* SPARE	1	15	13	14	15	1	SPARE	*
* SPARE	1	15	15	16	15	1	SPARE	*
* SPARE	1	15	17	18	15	1	SPARE	*
* SPARE	1	15	19	20	15	1	SPARE	*
* SPARE	1	15	21	22	15	1	SPARE	*
* SPARE	1	15	23	24	15	1	SPARE	*

**EMERGENCY CALL STATION (B-F WASHROOM ONLY)**

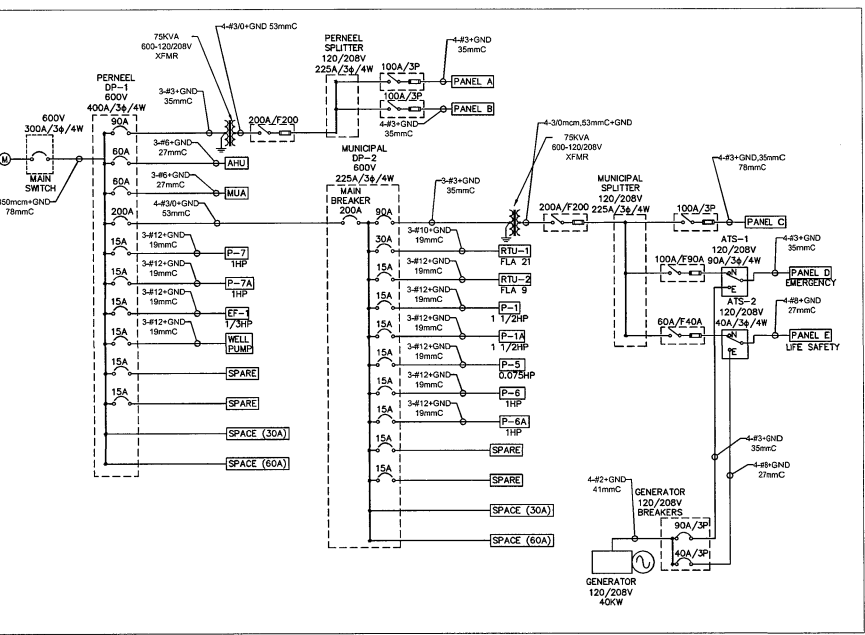
CALL ASSISTANCE KIT SUITABLE FOR PUBLIC WASHROOMS, COMPRISING A HORN/STROBE FOR AUDIBLE AND VISUAL SIGNALING, AN EMERGENCY PULL CORD STATION FOR ACTIVATION AND A TRANSFORMER FOR AC POWER. AUDIBLE AND VISUAL SIGNAL DEVICE REQUIRED INSIDE AND OUTSIDE WASHROOM. THE CALL FOR ASSISTANCE COMPONENTS SHALL BE EDWARDS CAT NO.6538C-05 OR EQUIVALENT, INCLUDE HORN STROBE CAT NO.6538C-05, TRANSFORMER CAT NO.91, AND PULL CORD STATION CAT NO. 9504-100 WITH RESET AT THE CALL INITIATING STATION. INCLUDE ALL NECESSARY BACKBOXES, CONDUIT AND WIRING.



1 SITE PLAN  
SCALE: 1:600

**SITE PLAN NOTES**

- PROVIDE NEW CONCRETE ENCASED DUCT BANK AS INDICATED.
- PROVIDE NEW BOLLARDS AND SITE LIGHTING AS INDICATED.
- HYDRO ONE SHALL REMOVE EXISTING POLE AND SUPPLY NEW 4" POLE C/W TRANSFORMERS. CONTRACTOR SHALL PROVIDE METER BASE AND 3 PHASE SECONDARY UNDERGROUND CONDUCTORS. CONTRACTOR TO SUPPLY POLE GUARD. ALL WORK SHALL COMPLY WITH HYDRO ONE STANDARD TRENCH DETAILS AND SECONDARY SERVICE DETAILS.



3 NEW SINGLE LINE DIAGRAM  
SCALE: NTS

IT IS THE RESPONSIBILITY OF THE APPROPRIATE CONTRACTOR TO CHECK AND VERIFY ALL DIMENSIONS ON SITE AND TO REPORT ALL ERRORS AND/OR OMISSIONS TO THE ARCHITECT.

ALL CONTRACTORS MUST COMPLY WITH ALL PERTINENT CODES AND BY-LAWS. THIS DRAWING MAY NOT BE USED FOR CONSTRUCTION UNLESS SIGNED BY THE ARCHITECT. DO NOT SCALE DRAWINGS. COPYRIGHT RESERVED.



ISSUED FOR	DATE
7	ISSUED FOR CONSTRUCTION 18.12.2017
6	ISSUED FOR TENDER 12.10.2017
5	ISSUED FOR PRE-TENDER REVIEW 25.08.2017
4	ISSUED FOR 95% REVIEW 16.08.2017
3	ISSUED FOR 90% REVIEW 09.08.2017
2	ISSUED FOR REVIEW 07.07.2017
1	ISSUED FOR 33% REVIEW 23.12.2016
#	ISSUED FOR DD.MM.YY

REVISIONS:  
ARCHITECT SEAL: [Signature Area]  
NORTH ARROW: [Arrow pointing up]

CLIENT:

ARCHITECT:

PROJECT TITLE:  
**MCNAB BRAESIDE**

ARNPRIOR ONTARIO

SHEET TITLE:  
**ELECTRICAL DRAWING LIST, LEGEND, NOTES, SCHEDULE AND SITE PLAN**

DRAWN: JOP  
JOB: SB  
SCALE: 1:50  
PROJECT No: 16-178  
CHECKED: SB  
SHEET No: **E000**

IT IS THE RESPONSIBILITY OF THE APPROPRIATE CONTRACTOR TO CHECK AND VERIFY ALL DIMENSIONS ON SITE AND TO REPORT ALL ERRORS AND/OR OMISSIONS TO THE ARCHITECT.  
 ALL CONTRACTORS MUST COMPLY WITH ALL PERTINENT CODES AND BY-LAWS.  
 THIS DRAWING MAY NOT BE USED FOR CONSTRUCTION UNTIL SIGNED BY THE ARCHITECT.  
 DO NOT SCALE DRAWINGS  
 COPYRIGHT RESERVED



VR 16-178

#	ISSUED FOR:	DATE
7	ISSUED FOR CONSTRUCTION	18.12.2017
6	ISSUED FOR TENDER	12.10.2017
5	ISSUED FOR PRE-TENDER REVIEW	25.08.2017
4	ISSUED FOR 90% REVIEW	18.08.2017
3	ISSUED FOR 90% REVIEW	09.08.2017
2	ISSUED FOR REVIEW	07.07.2017
1	ISSUED FOR 30% REVIEW	23.12.2016
#	ISSUED FOR:	DDMMYY

REVISIONS:  
 ARCHITECT SEAL: \_\_\_\_\_  
 NORTH ARROW:

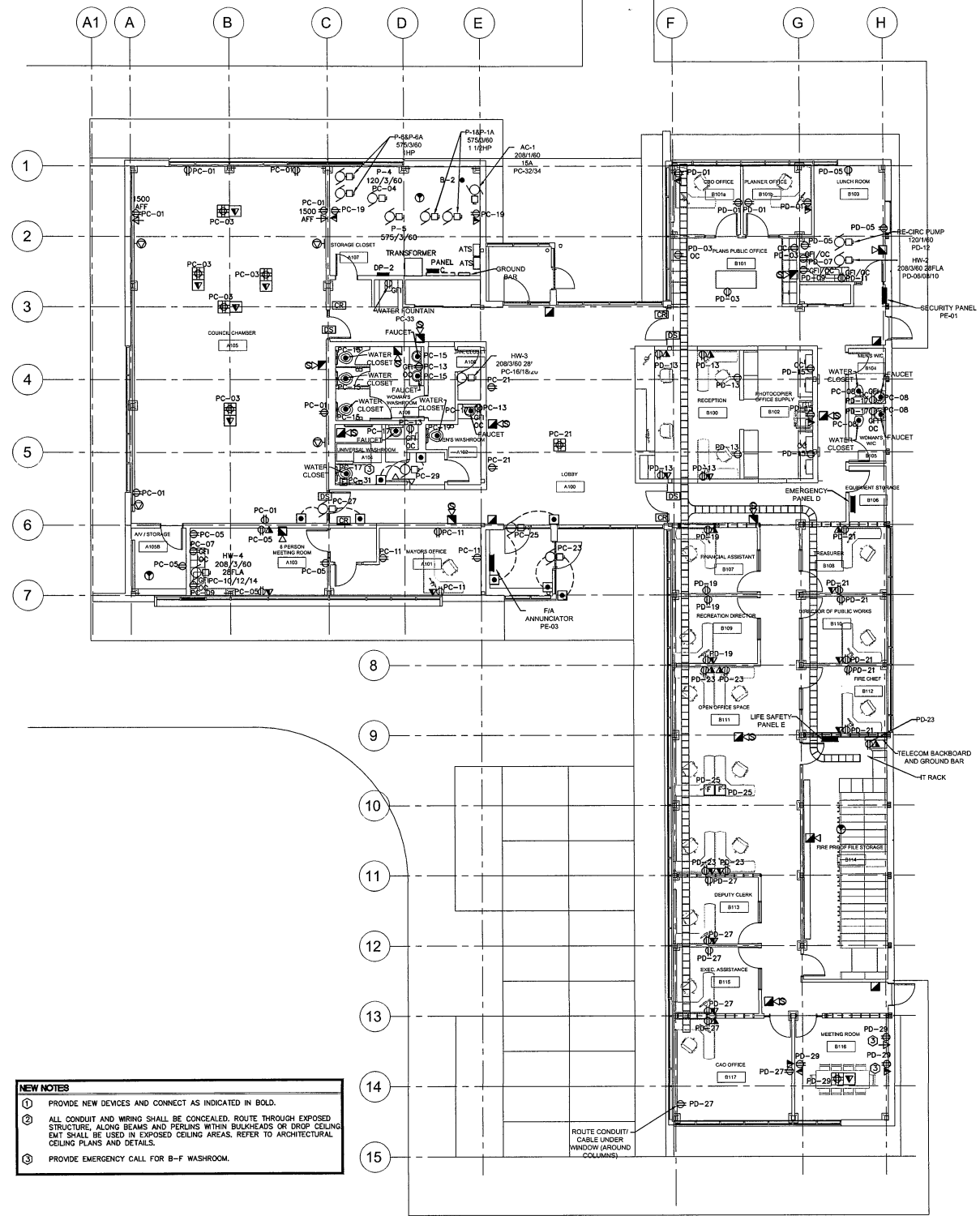
CLIENT: \_\_\_\_\_  
 ARCHITECT: \_\_\_\_\_

PROJECT TITLE:  
**MCNAB BRAESIDE**

ARNPRIOR                      ONTARIO

SHEET TITLE:  
**TOWN HALL - FLOOR & ROOF - NEW POWER & SYSTEMS PLAN**

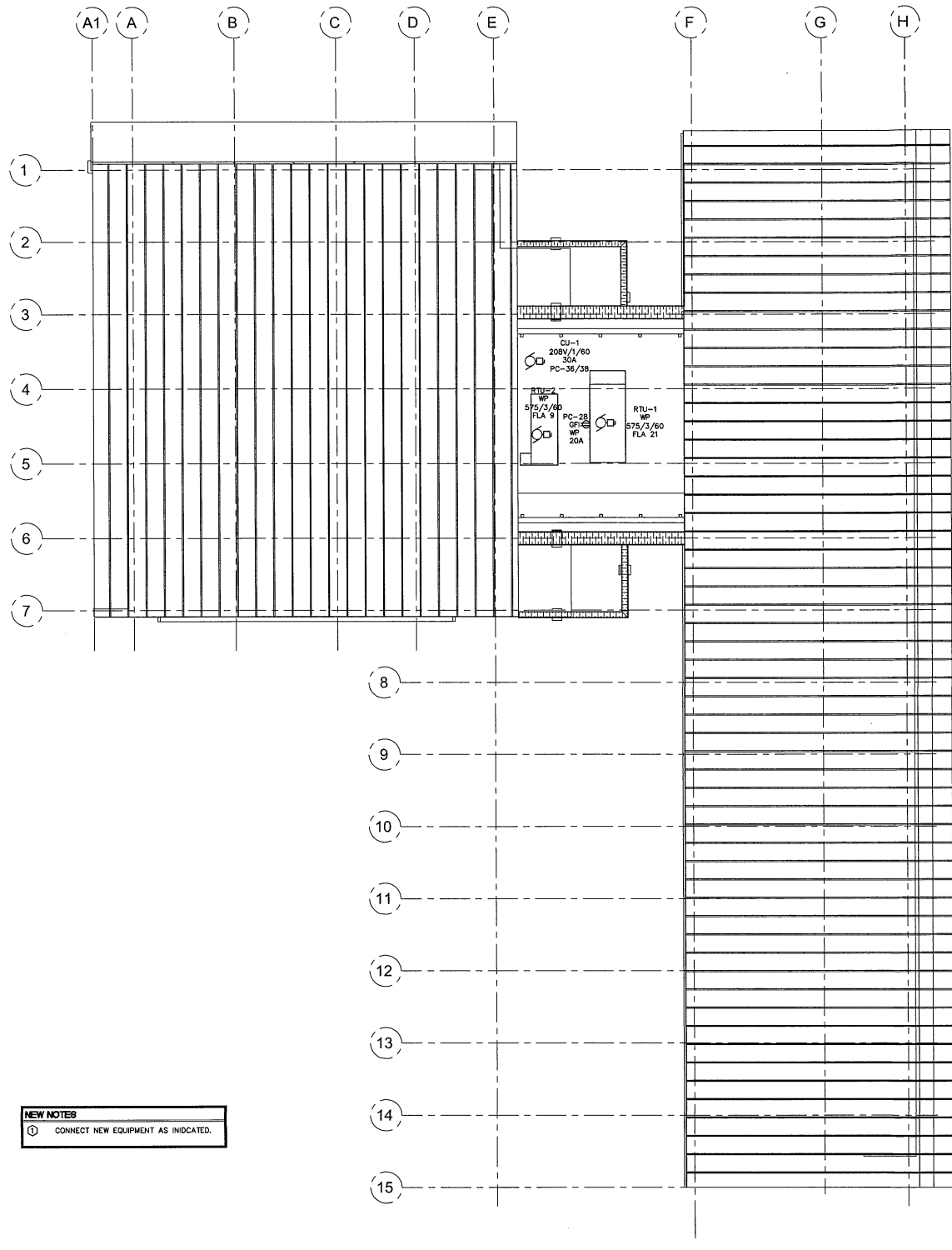
DRAWN: JOP	CHECKED: SB
SCALE: 1 : 100	SHEET No: <b>E202</b>
PROJECT No: 16-178	



**NEW NOTES**

- PROVIDE NEW DEVICES AND CONNECT AS INDICATED IN BOLD.
- ALL CONDUIT AND WIRING SHALL BE CONCEALED. ROUTE THROUGH EXPOSED STRUCTURE, ALONG BEAMS AND PERLINS WITHIN BULKHEADS OR DROP CEILING. EMT SHALL BE USED IN EXPOSED CEILING AREAS. REFER TO ARCHITECTURAL CEILING PLANS AND DETAILS.
- PROVIDE EMERGENCY CALL FOR B-F WASHROOM.

**1 FLOOR PLAN**  
 E202 SCALE: 1:100



**NEW NOTES**

- CONNECT NEW EQUIPMENT AS INDICATED.

**2 ROOF PLAN**  
 E202 SCALE: 1:100